



TECHNICAL INFORMATION

CONTENTS - TECHNICAL INFORMATION

Product Dimensions and Cable Capacities	9.5
--	------------

Data Trunking	COMPACT data Installation Instructions	9.9
----------------------	--	-----

	PROFILA data Installation Instructions	9.12
--	--	------

	Adjustable Socket Boxes Installation Guidelines	9.16
--	---	------

Perimeter Trunking	PROFILA 2 & 3 Installation Instructions	9.17
---------------------------	---	------

	MAX Commercial Trunking	9.20
	Installation Instructions	

Large Commercial Trunking	SIGNO BK - PVC Installation Instructions.	9.23
	of Moulded Accessories	

	SIGNO BS - Steel and BA - Aluminium Trunking	9.25
	Earthing Instructions	

Office Solutions	Power Poles (3.6m) Assembly	9.26
-------------------------	---------------------------------------	------

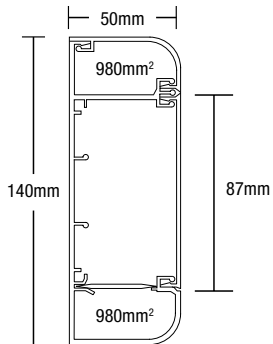
	Power Posts (690mm) Assembly	9.27
--	--	------

Domestic/Small Commercial Trunking	SL Slimline Trunking Socket	9.28
	Installation Instructions	

SOLELEC Electric Underfloor Warming	System Requirements	9.29
--	-------------------------------	------

Material Data	9.30
--------------------------------	-------------

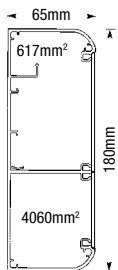
PRODUCT DIMENSIONS AND CABLE CAPACITIES



COMPACT Data Cable Capacity Table

Full Cable Compartment CSA	DATA				POWER		
	Typically MULTI-CORE				Typically SINGLE-CORE (PVC Insulated)		
	Wiring Regulations BS 7671 45% CSA (441mm ²)			IT Cable installation BSEN 50174-1/BS6701	Wiring Regulations BS 7671 45% CSA (441mm ²)		
	Cable Diameter (mm)	Conductor CSA (mm ²)	No. cables	No. cables	Conductor CSA (mm ²)	Cable Factor	No. cables
980mm ²	5	19.6	22	14	1.5	8.6	50
	5.5	23.8	18	13	2.5	12.6	35
	6	28.3	15	12	4	16.6	26
	6.5	33.2	13	11	6	21.2	20
	7	38.5	11	10			

Product Range	Nominal Size	Width mm	Height mm	Cross Sectional Area mm ²	Usable (45%) Cross Sectional Area mm ²	Fixings/m
COMPACT data	140/50	139	50			4
top				980	441	
bottom				980	441	

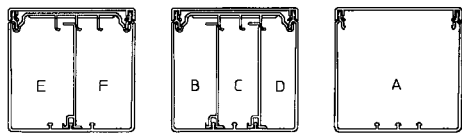


PROFILA Data Cable Capacity Table

Maximum Recommended Cable Capacity				
Data			Power	
Cable Diameter (mm)	On Straight Runs	Around Fittings	Conductor CSA (mm ²)	No. Cables
5.0	79	35	1.5	28
6.0	55	31	2.5	22
7.0	40	26	4.0	14
8.0	31	22	-	-

Product Range	Nominal Size	Width mm	Height mm	Cross Sectional Area mm ²	Usable (45%) Cross Sectional Area mm ²	Fixings/m
PROFILA data	180/65	180	65			4
top				617	617	
bottom				4060	1827	
PROFILA 2						
SET J	130/50	130	50	5521	2485	4
top				1762	793	
bottom				3759	1692	
SET K	130/50	130	50	5215	2347	4
top				1456	655	
bottom				3759	1692	
PROFILA 3						
SET A	170/50	175	50	7245	3260	4
top				1762	793	
middle				3759	1692	
bottom				1724	776	
SET B	170/50	175	50	6939	3123	4
top				1456	655	
middle				3759	1692	
bottom				1724	776	

Product Range	Nominal Size	Width mm	Height mm	Cross Sectional Area mm ²	Usable (45%) Cross Sectional Area mm ²	Fixings/m
SET D	170/50	175	50	6671	3002	4
top				1456	655	
middle				3759	1692	
bottom				1456	655	
SET F	220/50	220	50	8907	4008	6
top				1456	655	
middle				3759	1692	
bottom				3692	1661	
PROFILA	100/40	100	40	3400	1530	4
130/40	130/40	130	40	4200	1890	4
200/40	200/40	200	40	6780	3051	4
top				360	162	
middle				3010	1355	
bottom				3410	1535	
200/60	200/60	200	60	10230	4604	4
top				560	252	
middle				4700	2115	
bottom				4970	2237	
signo BK	110/70	110	70	5470	2462	4
signo BK	130/70	130	70	6720	3024	4
signo BK	170/70	170	70	9230	4154	4
signo BK	220/70D	220	69	12100	5445	4
signo BA	110/70	110	69	6050	2723	4
signo BA	130/70	130	69	7350	3308	4
signo BA	170/70	170	69	9880	4446	4
signo BA	220/70TW	220	69	12100	5445	4
signo BS	130/70	130	68	7230	3254	4
signo BS	170/70	170	68	9870	4442	4
signo BS	210/70	210	69	12460	5607	4
signo Pole/Post	140/110	136	110	12100	5445	na



Product Range	Nominal Size	Width mm	Height mm	Cross Sectional Area mm ²	Usable (45%) Cross Sectional Area mm ²	Fixings/m
MAX	50/50	50	50			3
A				2088	940	
MAX	75/50	75	75			3
A				3214	1446	
E				1360	612	
F				1180	531	
MAX	75/75	75	75			3
A				5000	2250	
E				2299	1035	
F				1983	892	
MAX	100/50	100	50			4
A				4202	1891	
B				1159	522	
C				1135	511	
D				987	444	
E				1786	804	
F				1615	727	

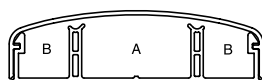
Product Range	Nominal Size	Width mm	Height mm	Cross Sectional Area mm ²	Usable (45%) Cross Sectional Area mm ²	Fixings/m
MAX	100/100	100	100			4
A				8992	4046	
B				2802	1261	
C				2717	1223	
D				2327	1047	
E				4265	1919	
F				3813	1716	
MAX	150/150	150	150			8
A				20908	9409	
B				6790	3056	
C				6183	2782	
D				5958	2681	
E				10074	4533	
F				9241	4158	
LEH						
20/20	20/20	20	20	225	90	2
45/30	45/30	45	30	360	340	3
60/40	60/40	60	40	1600	640	3
90/60	90/60	90	60	4300	1720	4
110/65	110/65	110	65	5700	2280	4
150/65	150/65	150	65	7900	3160	4
MKS	16/16	16	16	150	68	2
MKS	25/16	25	16	250	113	2
MKS	38/16	38	16	420	189	2
MKS	38/25	38	25	750	338	2
MKS	38/38	38	38	1156	520	2



Product Range	Nominal Size	Width mm	Height mm	Cross Sectional Area mm ²	Usable (45%) Cross Sectional Area mm ²	Fixings/m
Decora	44/16					3
		A	44	16	484	218
		B	44	16	320	144
		C	44	16	116	52



Product Range	Nominal Size	Width mm	Height mm	Cross Sectional Area mm ²	Usable (45%) Cross Sectional Area mm ²	Fixings/m
Decora	54/20					3
		A	54	20	750	337
		B	54	20	476	214
		C	54	20	215	97



Product Range	Nominal Size	Width mm	Height mm	Cross Sectional Area mm ²	Usable (45%) Cross Sectional Area mm ²	Fixings/m
Decora	74/20					3
		A	74	20	569	256
		B	74	20	215	97

Product Range	Nominal Size	Width mm	Height mm	Cross Sectional Area mm ²	Usable (45%) Cross Sectional Area mm ²	Fixings/m
SL	70/20	70	20	820	369	3
SL	110/20	110	20	1350	608	3
RAUTRIGO	35 x 35	35	35	280	112	2
RAUTRIGO	50 x 50	50	50	940	378	2
BES-mini	20/20	20	21	340	153	2
BES-mini	40/20	40	21	740	333	2
BES-mini	40/40	40	41	1520	684	3
BES	60/40	60	40	1860	837	3
	60/60	60	60	3530	1588	3
	100/60	100	60	6130	2758	3
	150/60	150	60	7600	3420	3
	200/60	200	60	11300	5085	3

COMPACT DATA

INSTALLATION INSTRUCTIONS



Wiring contained inside this product must be installed and maintained by a competent person in accordance to the requirements of BS7671 (Wiring Regulations)

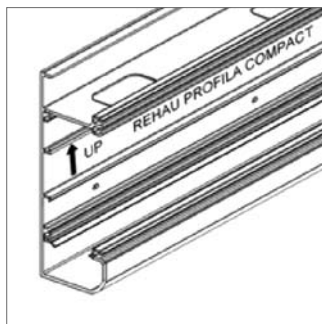
We recommend using this trunking with data cable Category 5 or above and a maximum electrical load of 120A

Compact Data has been designed to be used as a 2 compartment trunking. The middle section is only intended for mounting of sockets and accessories. Compact Data is intended for internal use only.

1. Extrusions

Base Mounting

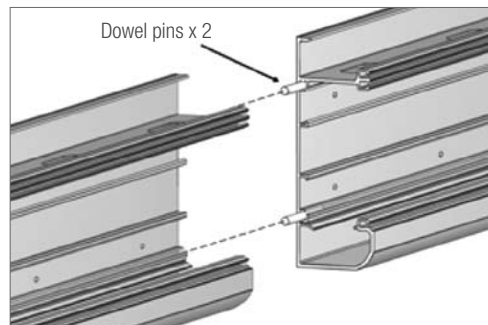
As top and bottom compartments are continuously supported from below, data cables can be safely installed in either compartment depending on cable exit; the following orientation should always be observed:



Please make sure the built-in divider with prepunched knock-outs is always at the top.

Guidelines:

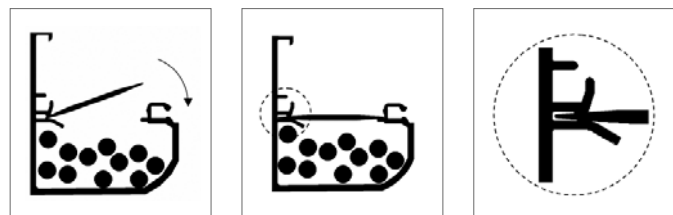
- Installation of the system should start on an internal corner whenever possible
- Compact Data base has pre-punched holes every 150mm to facilitate fixing of the trunking. Holes are of elliptical shape to allow for horizontal movement due to thermal expansion or contraction
- We recommend the use of No. 8 round head screws and washers
- It is recommended to fix the base minimum every 500mm and within 100mm of a cut
- Protective foil should be removed only on completion of the installation
- Trunking runs over 3 mtr. require a 5mm gap between adjacent lengths of trunking



To align adjacent lengths of base use 2 dowel pins in locations shown above. A number of these are available with every 12 meter pack and are also available separately.

Detachable Divider

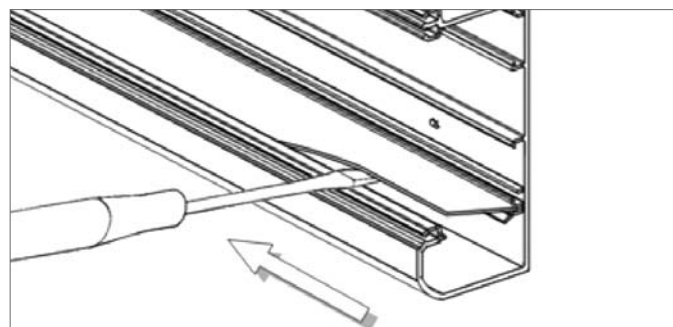
After loading cables inside the bottom compartment the detachable divider can be inserted as shown below:



Ensure the divider is firmly engaged deep inside the locking feature on the back wall.

We recommend to always install the main base together with the detachable divider. This component is available in standard PVC and also in Galvanized Steel for improved EMI protection.

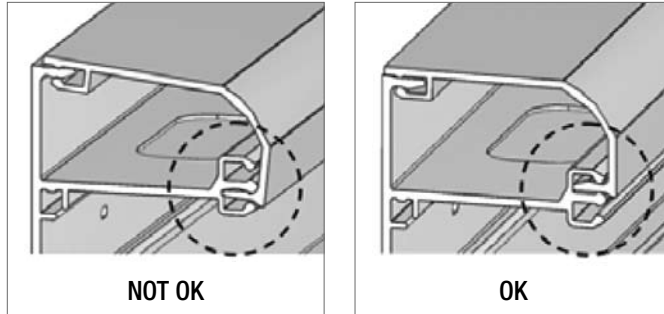
To remove the detachable divider use a spade (flat) screwdriver and slide starting from one end as shown below:



Main and Top Lid

Covers are fitted by alignment of the clips with the receptacles on the base. Apply pressure to engage the clips. To remove, peel the covers away from the base.

When assembling the top lid ensure the clip engages into the top receptacle of the base:

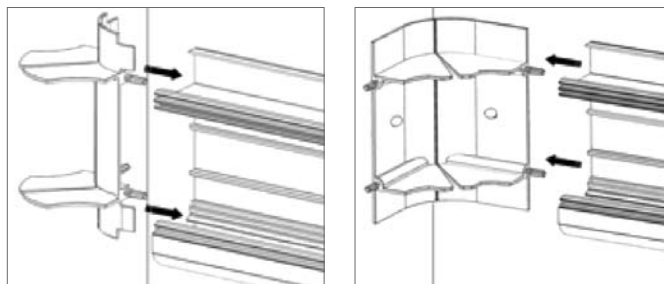


PROFILA Data[®] and Compact Data[®] ranges use a common main lid and socket box range.

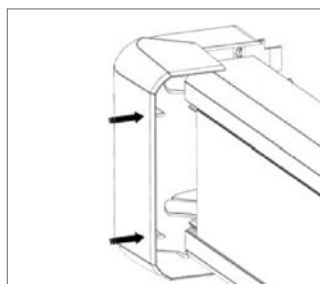
2. Moulded Fittings

Corner Fittings (internal and external)

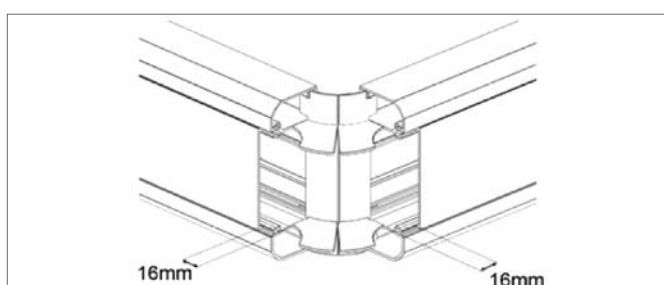
For engaging trunking with corner inserts use built-in pins as shown:



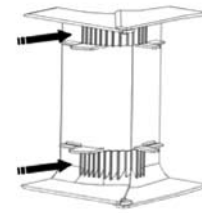
All corner covers engage to the trunking by using pins in the same way as the main lid:



When installing corner covers (internal and external) always cut the main lid **16mm** shorter than the main base and top lid:



Internal corners provide 35mm Minimum Bend Radius (MBR) by means of built-in ribs.



Tee Piece

Provides MBR on every logical cable configuration as well as segregation between power and data cables. Modular segregator(s) can be located at cross points to avoid contact between power and data cables. Tee pieces are fully symmetrical. So there is only one product for both up and down applications.

Flat Angle

Fully symmetrical injection moulded flat angle for changing direction 90° on the vertical. There is only one product for Up and Down as well as Left and right applications.

Adapter

Compact Data offers an adapter to smoothly connect to PROFILA Data (180 x 65). Separate installation instructions are included in every Adapter set box.

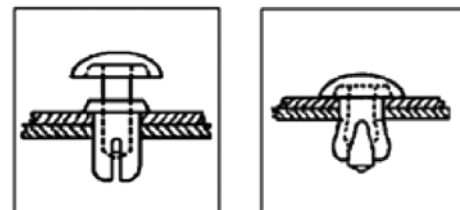
3. Other Accessories

Accessory boxes clip directly into the base and should be located before fitting covers.

Lid spacers should be used where boxes are positioned adjacent to each other.

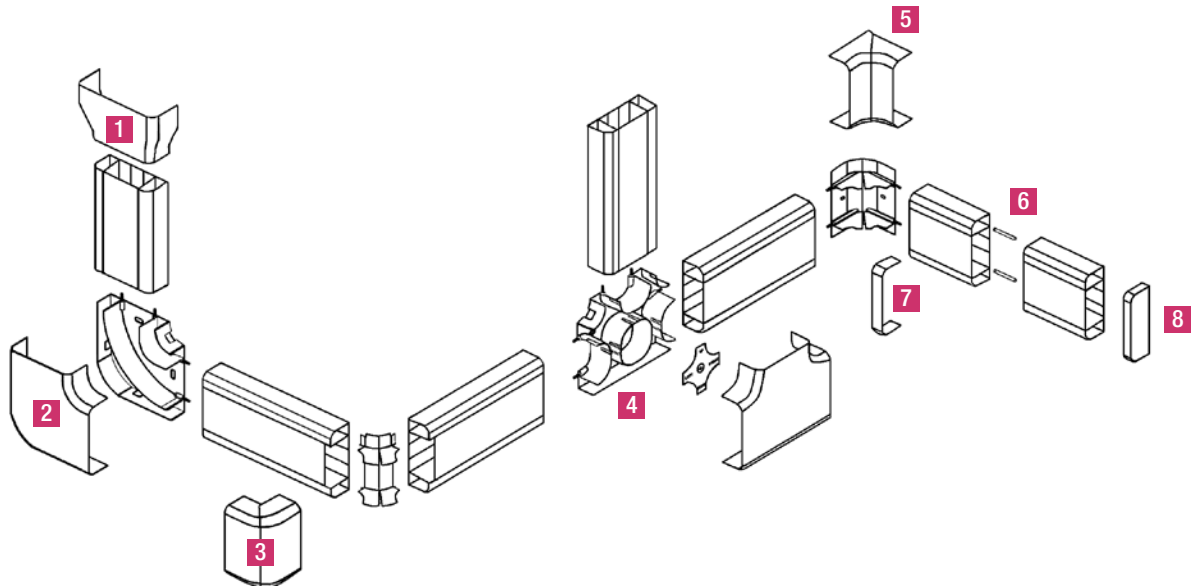
Security rivets For extra-security of moulded accessories, optional push rivets are available.

To fix, drill a **3.0mm** hole through the accessories AND base/top lid to accommodate the rivet shaft. Holes must be central and 9 mm away from edges. Finally push plunger until head is flush against the accessory surface.



Security rivets for Compact Data: Art. No 289585

Compact Data Assembly

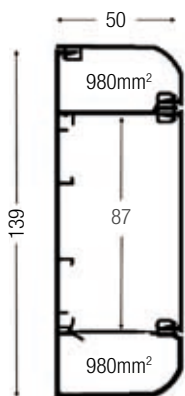


- 1 Adapter** Art. No. 288575
- 2 Flat angle** Art. No. 288545
- 3 External corner** Art. No. 288515
- 4 Tee piece** Art. No. 288535
- 5 Internal corner** Art. No. 288525
- 6 Dowel pins** Art. No. 265921
- 7 Joint cover** Art. No. 288555
- 8 End cap** Art. No. 288565
- Base** Art. No. 734006
- Top lid** Art. No. 734007
- Main lid** Art. No. 733469
- PVC divider** Art. No. 734009

Colour	RAL 9003
Material	PVC-U
Minimum Bend Radius	35mm
Variable corners	+ / - 5 °
Approx. trunking assembly weight	1.5Kg/mtr

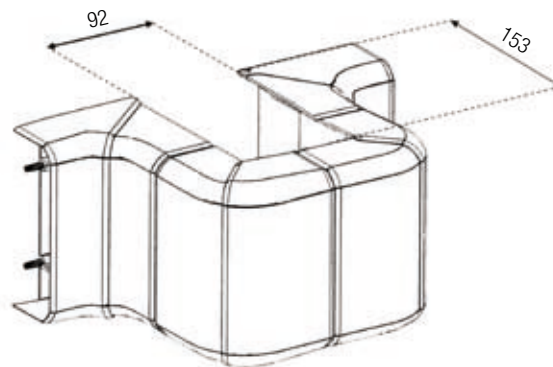
Compact Data complies with relevant parts of BS6701 and BSEN 50174 parts 1 & 2

Profile Layout



Minimum Column Size:

153mm depth x 92mm width



PROFILA DATA

INSTALLATION INSTRUCTIONS

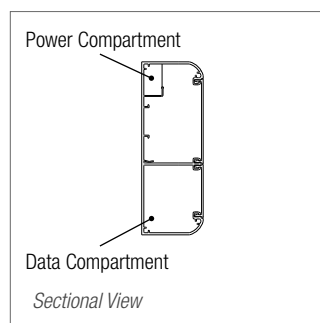
Designed specifically for the demands of the latest categories of communication cables, PROFILA data is the compact two-compartment cable management system from REHAU.

PROFILA data features:-

- Innovative design allowing compliance with requirements of the latest Cabling Standards whilst remaining compact and unobtrusive
- Installation of all sockets on the same level, thereby leaving the data compartment free for cabling and unrestricted by socket boxes
- A range of wrap round moulded accessories, including variable angle internal and external corners to extend versatility and aid installation

General

PROFILA data is a two compartment perimeter system designed for containment of mains power and telecommunications cabling. Integral to the base are a number of features to allow compliance with separation requirements of BS EN 50174-2: Information Technology - Cabling Installation, - Installation planning and practices inside buildings. In order to fully utilise this capability it is recommended that horizontal sections of PROFILA data are mounted with the data compartment nearest the floor.



Should it be necessary to install PROFILA data with the socket compartment nearest the floor it must first be ensured that there is sufficient clearance for socket leads. When mounting at skirting level allowance must be made for fitting of floor covering.

PROFILA data is supplied with protective foils covering the visible surfaces. These should only be removed upon completion of the installation.

Installation



To ensure a safe installation, this product must be installed and maintained by a competent person in accordance with requirements of the 17th Edition of the IEE Wiring Regulations (BS 7671).

We recommend using this trunking with data cable category 5 or above and with maximum 120A electric load.

Base Mounting

The PROFILA data trunking base is supplied with pre-punched fixing holes. These are Diameter 5.5mm and conveniently spaced every 100mm.

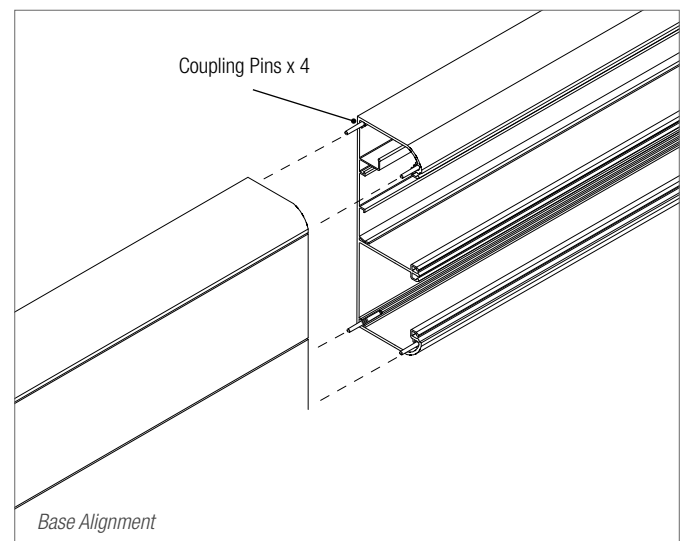
Use of No.8 round head screws and washers or hammer wall fixings is recommended.

It is recommended that the base is fixed a minimum of every 500mm, and within 50mm of a cut end or joint.

Avoid over tightening of fixings as this may damage the profile and prevent movement due to thermal expansion.

Coupling pins should be used to join adjacent lengths of trunking as they allow fast accurate alignment in addition to increasing integrity of the final installation.

A number of coupling pins are supplied with the trunking base profile, and additional pins are available separately.

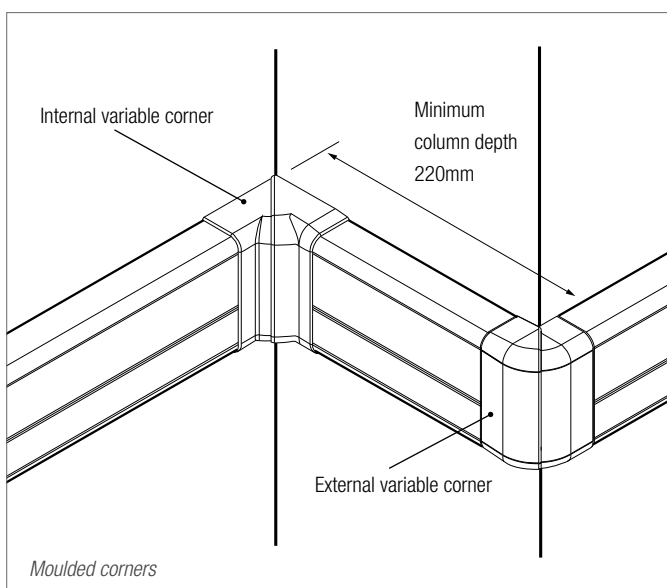
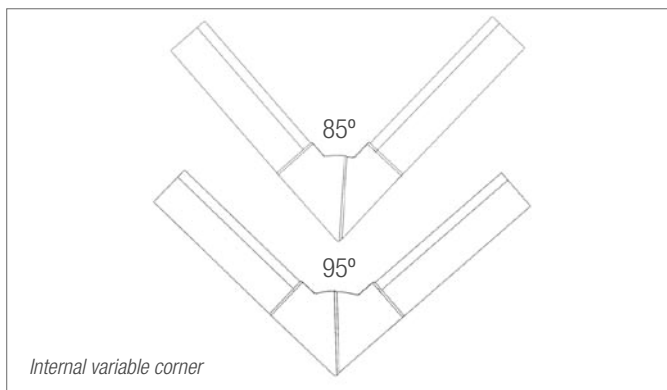
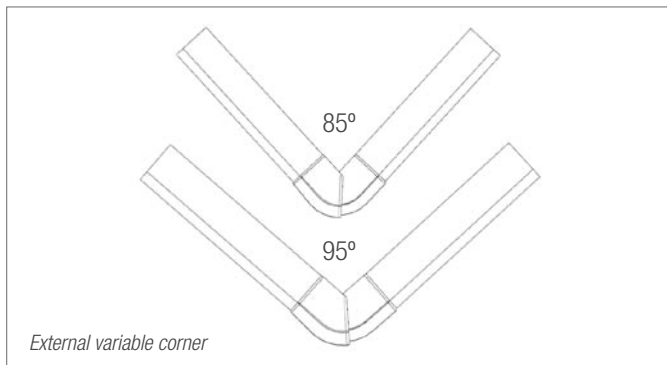


Internal and External Corners

Internal and external corner sets include base and corner components. Bases incorporate moulded coupling pins and 50mm cable bend radius control.

Cover sets clip directly into the trunking base and are hinged to allow installation where corners are not 90° true.

Internal corners can be installed into angles in the range 85°-95°; external can be installed in the range 82°-95°. A minimum depth of 220mm is required to accommodate a double corner.



Socket Box Installation

Socket boxes clip directly into the trunking base profile and should be located prior to fitting of the covers. Appropriate socket knockouts should also be removed prior to installing the socket box.

When locating socket boxes consideration must be given to instructions and guidelines provided by accessory manufacturers. This will allow determination of best termination practice, allow compliance with segregation / installation regulations and ensure correct installation of the steel separator. For details of installation of socket boxes please refer to 'Adjustable Socket Box Installation Guidelines'.

Cover Fitting & Removal



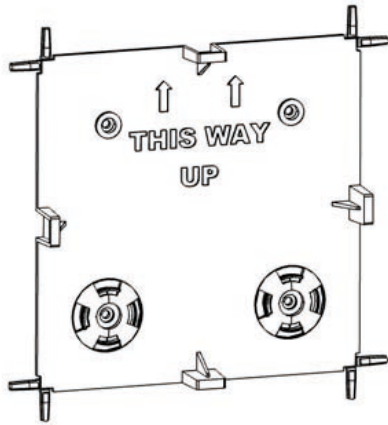
Ensure all power has been isolated before covers are removed.

Covers are fitted by alignment of the clips with receptacles on the base, and application of force to push the clips home. Removal is achieved by peeling the cover away from the base.

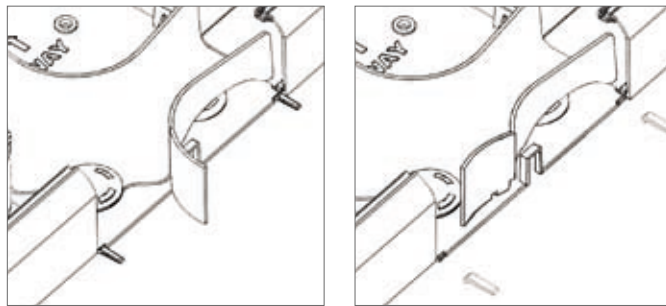
Modular Flat Angles and Tee Pieces


Flat angles and Tee pieces share a common modular solution that allows configuration of 6 most common articles as shown:


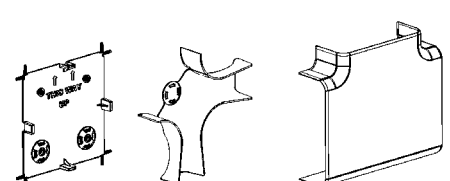
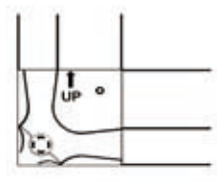
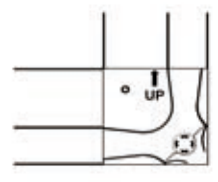
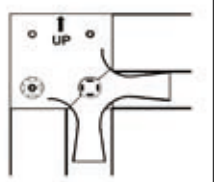
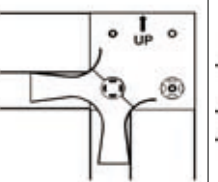

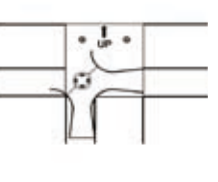
 Base must ALWAYS be installed in the direction shown below:



In some configurations alignment pins and sections of cable guide must be removed or bent to allow covers fitting in place.



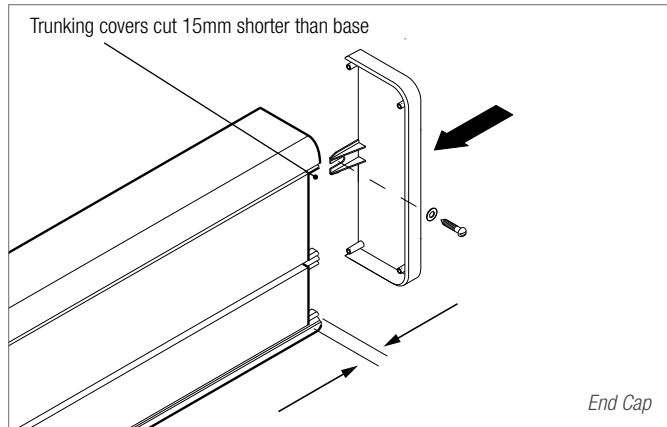
 We recommend to use countersunk screws with 3 to 4.5mm gauge.

Flat Angle Art. No. 212670				Tee Piece Art. No. 212660	
					
UP		DOWN		UP	DOWN
LEFT	RIGHT	LEFT	RIGHT		
					

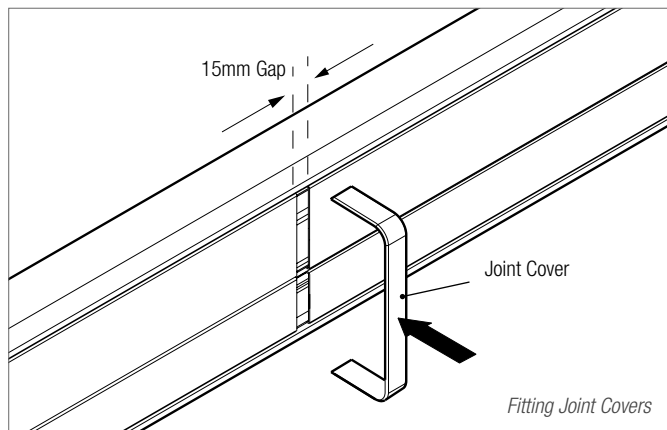
End Caps / Joint Covers

These accessories fit directly on the trunking base and provide a 6mm overlap of the cover to allow for variations in cutting.

When fitting joint covers allow a 15mm gap between lengths of cover.



End caps have provision for additional screw to increase integrity of the installation.



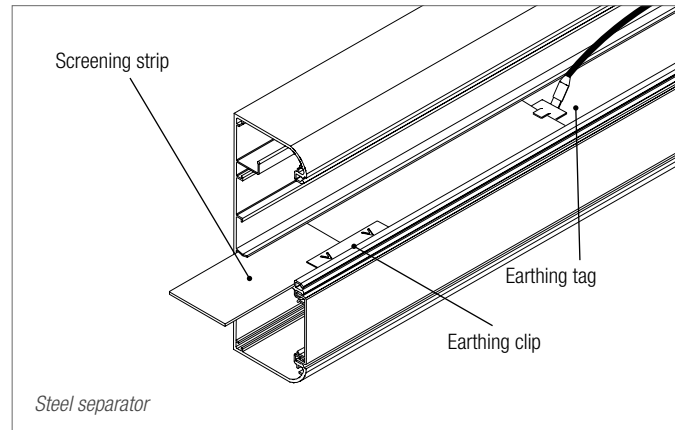
RCD Housing

RCD's can be mounted in the main compartment using an RCD housing set.

Housing sets comprise a pre-cut housing section and a RCD mounting bracket.

Cable Retainers

In order to comply with segregation requirements of IEE Regulations and separation requirements of EN 50174 power cables must be retained on the shelf. In order to facilitate this easy fit cable retainers are available. Fitting of these cable retainers at a minimum of 250mm spacing is recommended.



Steel Separator

For compliance with separation requirements of BS EN 50174 certain installations will require fitting of a steel separator.

The steel separator for PROFILA data is supplied in 2m lengths and is fitted into the clip on the trunking base profile with the main cover removed.

Prior to installation the separator should be cut to length taking into account location of sockets, corners etc. When it is necessary to break through the separator to terminate a data communications cable. Care must be taken to ensure there are no sharp edges to damage cables.

Earthing clip art. 726854 is available to join adjacent lengths of separator. Earth clip art. 725568 and earthing leads art. 727471 are available to join lengths where there is a break in the separator.

Service and Maintenance

Before removing covers or undertaking any maintenance to a trunking installation the mains electricity supply MUST be turned OFF.

For cleaning use Standard PVC cleaner. Abrasive materials must not be used as these will damage the surface finish.

Approvals

PROFILA data conforms to the requirements of BS EN 50085 : 200 Part 2-1 & D4 50174 part 2.

Design Protection

PROFILA data and the variable corners are protected by EU Registered Designs 000070982-0001; 000070982-0002 & 000070982-0003.

ADJUSTABLE SOCKET BOX FOR POWER AND DATA

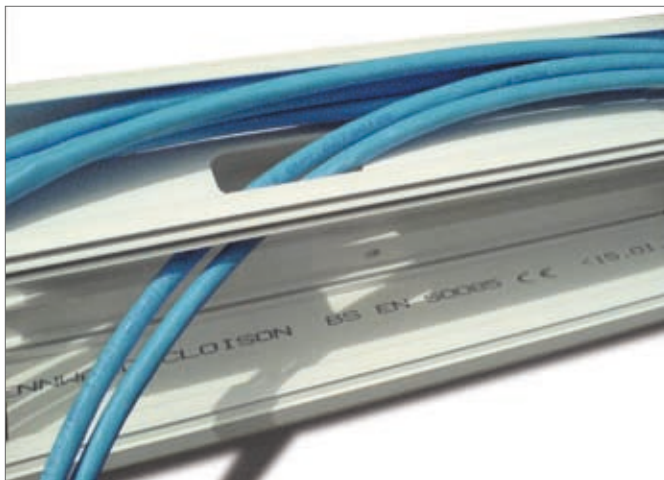
INSTALLATION INSTRUCTIONS

All cable installations must be done in accordance to relevant regulations and standards including BS7671 (Wiring Regs.) and BS6701 (Telecommunication installation).

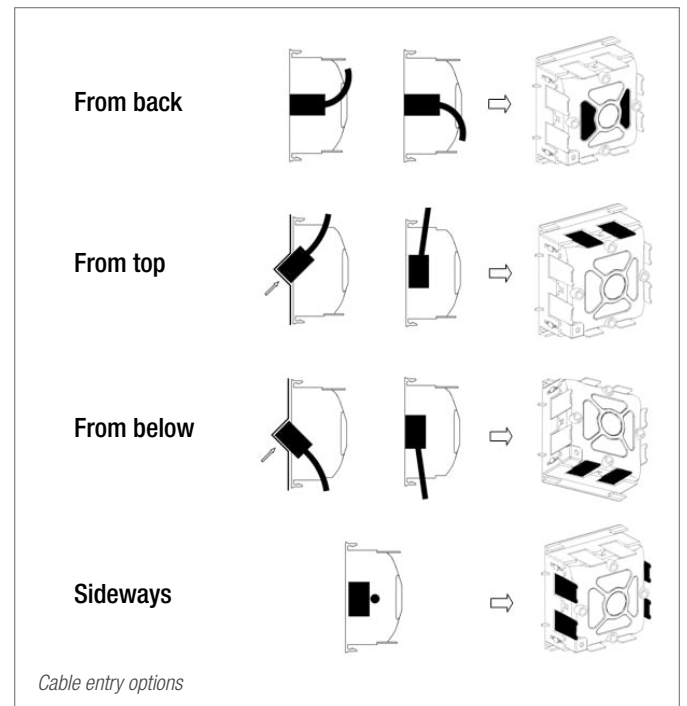
1. Select locations for power/data outlets and if required remove trunking knockouts (where available) or drill holes (with cone drill) on the shelves to allow cables passing through. When drilling or removing knock-outs ensure that no damage is done to existing/new cables.



2. Lay cables into designated compartment and pass required cables through trunking knock-outs or holes.



3. For installation of data outlets refer to outlet and cable manufacturers guidelines and determine most suitable box exit location (See illustration).



4. Feed cable(s) through box knock-outs and fit socket box to trunking. Always ensure that cable manufacturers guidelines are observed, particularly those regarding minimum bend radius. Never bend sharply or kink data cables as this can seriously compromise its performance.
5. Set box depth to required dimension (38 to 50mm depending on trunking type) by gently pushing back rear component. Ensure there is enough free space at the back of the box for feeding excess cable back into trunking. Make sure cables do not crush when adjusting box depth.
6. Fit main lid to trunking before finishing and securing accessory front-plate to socket box.

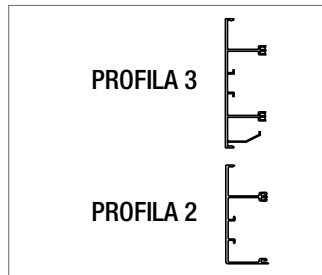
PROFILA 2 & PROFILA 3

INSTALLATION INSTRUCTIONS

Installation

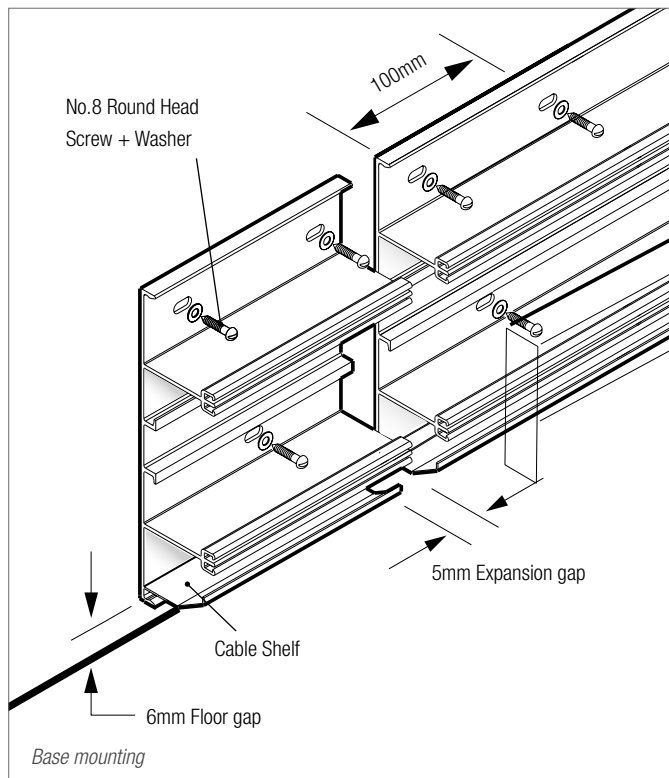


To ensure a safe installation, this product must be installed and maintained by a competent person in accordance with requirements of the 16th Edition of the IEE Wiring Regulations (BS 7671).



Base Mounting

The PROFILA 3 and PROFILA 2 bases are supplied with pre-punched fixing slots. These are 6.5 x 12mm and conveniently spaced every 100mm.



Use of No.10 round head screws and washers, or hammer wall fixings is recommended.

Over tightening of fixings must be avoided to prevent damage to the base and allow for thermal expansion.

Leave a 5mm gap between lengths of base to allow for thermal expansion.

When using the integral cable shelf, the base must be mounted with the shelf at the bottom.

Installation at skirting level



When installing cable management at skirting level ensure at least 6mm gap for fitting of floor covering.

Additionally, the location of sockets must be carefully considered. Generally it is not acceptable to install sockets into a compartment which is directly adjacent to the floor as the cable bending radius will prevent plugs being fitted. This applies to PROFILA 3 Sets E and F and PROFILA 2.

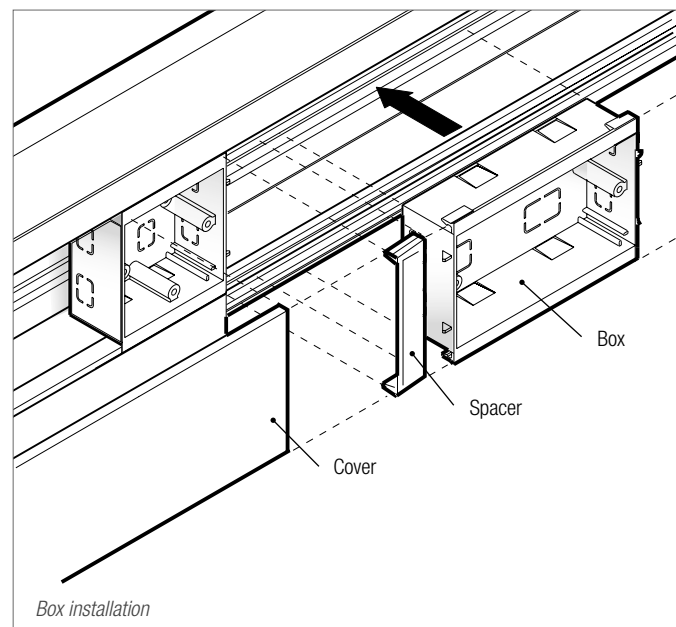
Use of Extension Piece

Extension pieces may be fitted to either side of the PROFILA 3 base or top of PROFILA 2 to increase cable capacity.

The integral cable shelf on PROFILA 3 can easily be removed by snapping off along the notch provided.

Accessory Box Installation

Accessory boxes clip directly into the base, and should be located before fitting covers.




Cover profiles overlap lugs on the accessory boxes, and the joint line is concealed by the accessory faceplate.

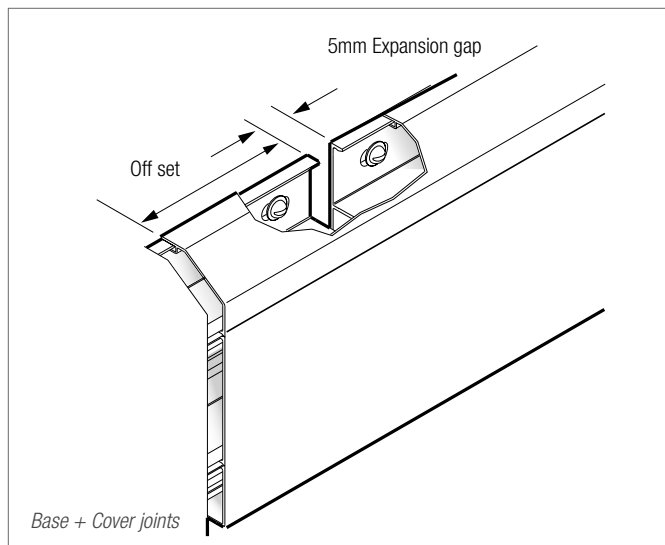
Cover spacers should be used where boxes are positioned adjacent to each other.

Cover Fitting and Removal

PROFILA 3 covers are intended to clip into the base and provide a high degree of security and protection to the cabling inside.

The covers are designed to be removed by gripping the cover close to one of the clips, and peeling perpendicular to the plane of the wall. This is repeated for the other clip, before peeling along the cover length. Covers should always be fitted, and removed by working from an end.

 The integrity of an installation is increased when the base and cover joints are offset. Protective foils should only be removed on completion of the installation.

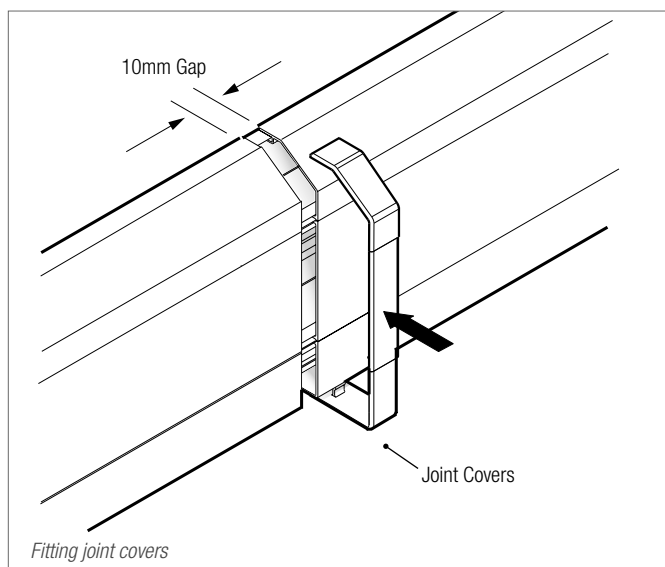


Fitting Moulded Accessories

Joint covers / End caps / Column set (Internal / External corners).


All moulded accessories mount directly on to the trunking base.

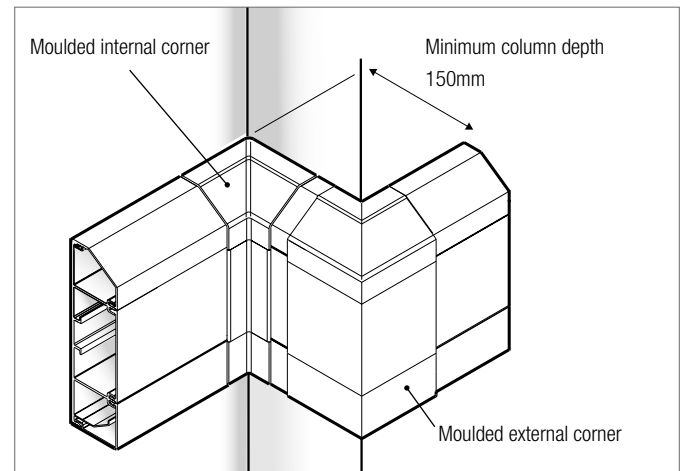
A gap of 10mm should be left between cover lengths to allow fitting of joint covers.



The appearance of a joint is improved if the joint covers are vertically aligned.

Moulded accessories provide a 6mm overlap with the covers to allow for variations in cutting.


 Use of Standard mouldings is only possible with columns greater than 150mm deep x 60mm width.



Prefabricated Fittings

Pre-fabricated Tee pieces and flat angles are available.

Their use is recommended where moulded accessories are not used. They ensure continuity of cable segregation, and allow offsetting of base / cover joints.

 Joint covers are not supplied with fabricated fittings.

Pre-fabricated column sets are available to special order.

Bridge Piece

A bridge piece should be used where it is necessary to cross the main compartment and maintain cable segregation.

10mm diameter holes should be drilled in the compartment sidewalls to allow feeding of cables.

RCD Housing

RCD's can be mounted in the main compartment using a RCD housing set.

Sets comprise a pre-fabricated housing section, and a RCD mounting bracket.

Cable Retainers

Cable retainers are available for main and top compartments.

The top retainer is fixed using a self-adhesive pad.

Both types allow cables to be easily added and removed.

General Notes

Before removing covers or undertaking any maintenance to a trunking installation, the mains electricity supply **MUST** be turned OFF.

When installing a single length between two walls it is advisable to locate a joint in the centre to allow easier access to cabling.

Cutting of base and covers should be undertaken with a fine toothed saw and finished with sharp knife.

For cleaning use Standard PVC cleaner. Abrasive materials must not be used as these will damage the surface finish.

MAX COMMERCIAL TRUNKING

INSTALLATION INSTRUCTIONS

Installation

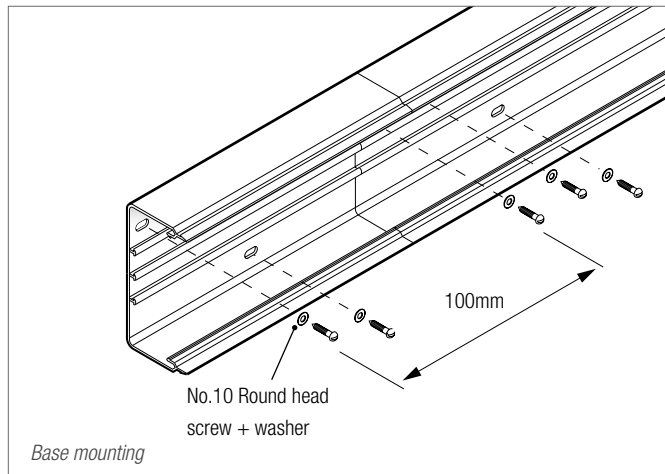


To ensure a safe installation, this product must be installed and maintained by a competent person in accordance with requirements of the 16th Edition of the IEE Wiring Regulations (BS 7671).

Base Mounting

All REHAU MAX base profiles are supplied with pre-punched fixing slots. These are 6.5 x 12mm and conveniently spaced every 100mm.

Use of No.10 round head screws and washers, or hammer wall fixings is recommended.



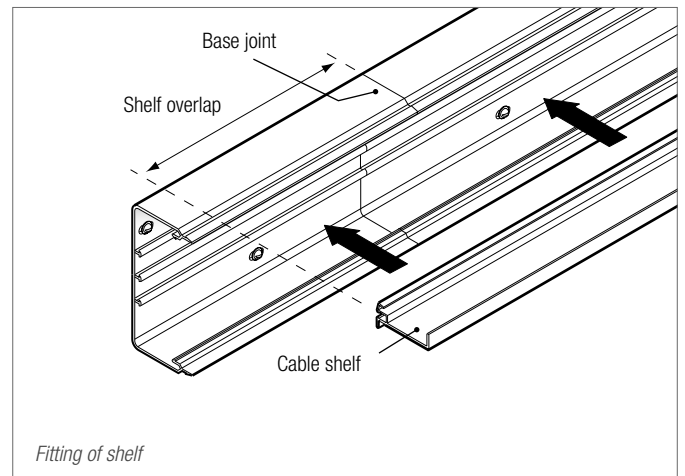
Over tightening of fixings must be avoided to prevent damage to the base.

Adjacent lengths of trunking should be butted against each other. For applications where joining of base lengths is required self-adhesive couplers are available separately.

Use of Cable Shelf

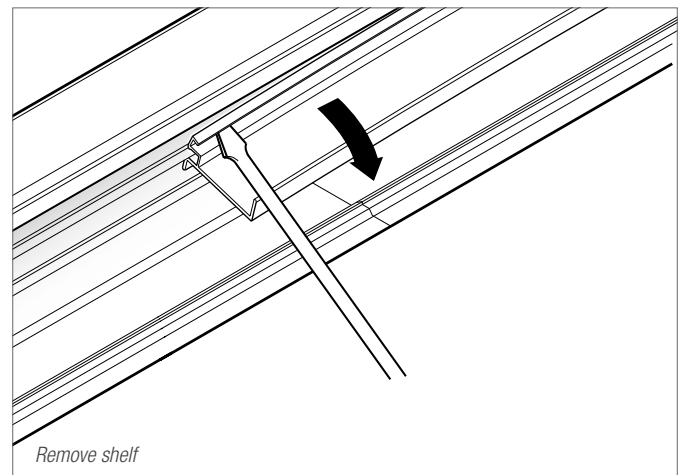
Shelves may be quickly fitted to MAX base profiles (only 50 + 100 depth trunking), to allow segregation of cabling.

Cables shelves clip over the DIN rail feature, which is present in the trunking base. When fitting, ensure that the return lip on the shelf is facing upwards. Note that the integrity of a base joint is greatly improved by ensuring the shelf bridges it.



Cable retainers should be used in conjunction with the shelves to improve support. (See Cable Retainers section below).

Shelf removal is easiest using a flat bladed screwdriver. The screwdriver blade should be inserted into the outer 'U' feature of the shelf foot at the end of the length. The shelf can then be released by using the screwdriver to lever the clip open. Once the end of the clip has been released, the shelf can be removed with a peeling action.

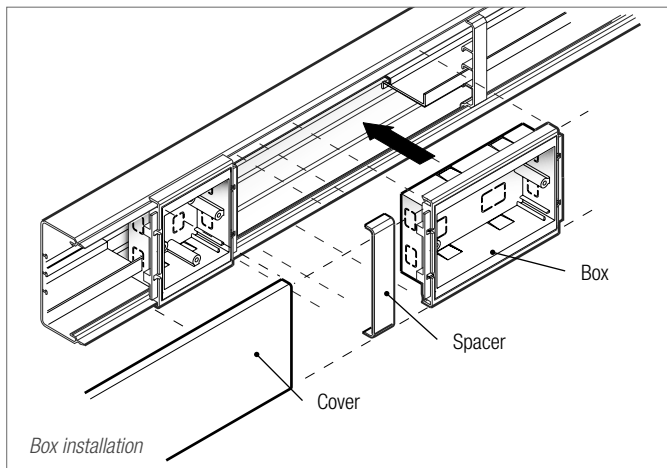


The number of DIN rails present in the base determines the number of shelves that can be fitted to a length of MAX trunking.

See Product Section for details.

Accessory Box Installation. (Only MAX 100/50)

Accessory boxes clip directly into the base, and should be located prior to fitting covers.

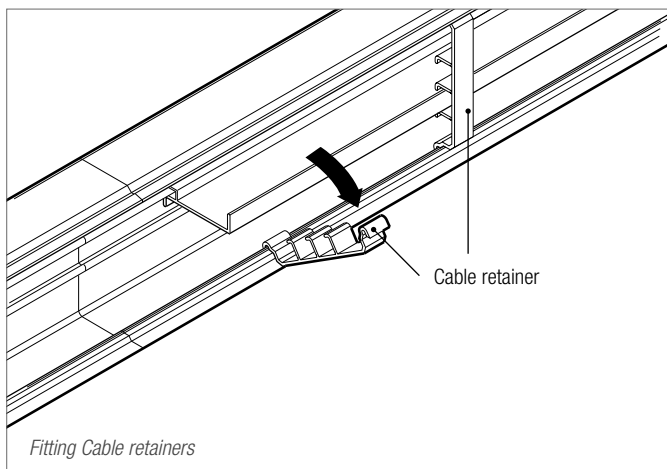


The covers are intended to overlap the accessory box to improve integrity of the installation.

For instances where boxes are positioned adjacent to each other cover spaces should be used.

Cable Retainers (Only available for 100/50 & 100/100)

Cable retainers clip directly into the base.



In addition to restricting movement of cabling, the retainers also provide support for the cable shelf. This is particularly important where the weight of cabling is higher.

Fitting of retainers at maximum 500mm intervals is recommended to provide proper support to the shelf.

Unclipping one side of a retainer will permit rotation, thereby allowing cables to be added or removed without detaching the retainer or releasing other cables from the trunking.



Support limbs should be removed from the retainer if shelves are not used. A notch is provided to aid this.

Cover Fitting And Removal

Once fitted MAX covers are intended to provide a high degree of security and protection to the cabling inside. This is especially important for installations where cabling is to be installed across a ceiling.

Removal of covers is easiest using a flat blade screwdriver. The screwdriver blade should be carefully inserted between the inside edge of the cover and the clip on the base.

The screwdriver should then be twisted to prize open the clip, allowing the cover to be released. This is repeated for the clip on the other side, before peeling off the cover length. Covers should always be fitted, and removed by working from an end.



The integrity of an installation can be greatly improved by ensuring that joints between base sections are offset from joints between covers.

The MAX 100/50 is supplied with protective foils on the base and cover. These should only be removed on completion of the installation.

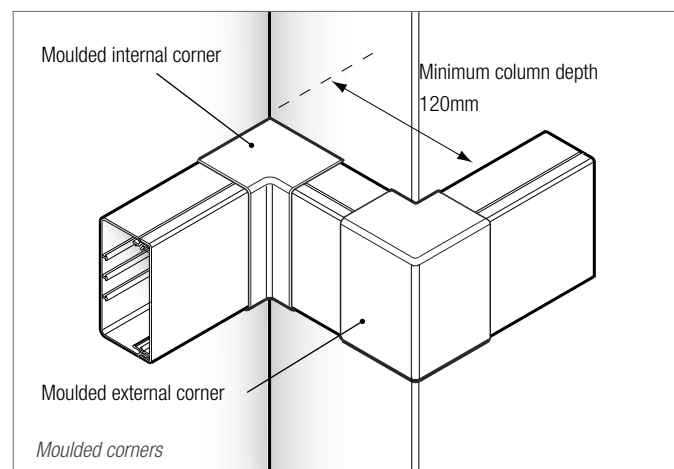
Moulded Accessories

End cap and corner mouldings clip directly on to the MAX trunking, and provide a 6mm overlap to compensate for variation in cutting of the covers.

Internal / External Corners

Corner mouldings are available for the following sizes- 50/50, 75/70, 75/75 & 100/50.

When installing on columns ensure there is sufficient room to allow fitting of the mouldings. Moulded fittings may only be used where the column is greater than 120mm deep (for 50mm deep mouldings or 145mm for 75mm deep mouldings).



Joint Cover

Moulded joint covers are only available for the 100/50 size.

A gap of 10mm should be left between cover lengths to allow fitting of joint covers.

The sets comprise a pre-fabricated housing section, and a DIN rail mounting bracket.

General Notes:

Before removing covers or undertaking any maintenance to a trunking installation, the mains electricity supply MUST be turned OFF.

When installing a single length of trunking between two walls it is advisable to locate a joint at the centre to allow easier access to cabling.

Cutting of base and covers should be undertaken with a fine toothed saw and finished with a sharp knife.

For cleaning of MAX trunking use Standard PVC cleaner. Abrasive materials must not be used as these will damage the surface finish.

SIGNO BK - PVC

INSTALLATION OF MOULDED ACCESSORIES FOR SIGNO BK – 70MM DEPTH TRUNKING

Installation Internal Corner

1 Trunking is installed butted next to each other (max 5cm gap between trunking from the front). Feed the cables through, guiding them freely around the corner. Place the internal corner over both ends of the trunking and clip on.



2 Using the thumb and index finger snap shut the corners right, left, top and bottom. Push main lid under the moulding into the clips of the main base (overlap 10mm).



3 Install lids accordingly, cut to length.



Installation External Corner

1 Trunking is installed butted together at the base side (max gap 5cm). Place external corners over the trunking and clip on by pressing down with both hands.



2 Using the thumb and index finger snap shut the corners right, left, top and bottom.



Installation Flat Angle

1 Apply the enclosed tape on the corners of the flat angles for secure fitting. Both external and internal flat angles are placed over the trunking, press on with both hands.



2 All four corners to be snapped shut with thumb and index finger. Insert the lid and push it under the flat angle into the clips of the base (over lap approx 10mm).



3 Lids cut to length, to be installed accordingly.

Installation Endcap

1 Place endcap onto the trunking, clip in at top and bottom. Additionally the endcap can be screwed into the trunking for additional security. Insert lid and push under the endcap (approx 10mm).



Click-to-fit Fast Coupling

1 -The click to fit coupler is located in the side wall of the trunking, ex-works
- Due to the spring clip the coupler can not be pushed back
- Simply push the next piece of trunking onto coupling clip



SIGNO BS - STEEL AND BA - ALUMINIUM TRUNKING

EARTHING FOR SIGNO TRUNKING SYSTEMS

SIGNO BS Base

- a) Adjacent SIGNO BS bases can be joined through an earthing base coupler (This earthing connection also gives mechanical strength).
- b) These are inserted into the sides at the end of the base, making the connection to the next piece of trunking.
- c) An earthing base coupler is needed at each point, where a base joins up with another.

SIGNO BS Cover 80

- d) The connection of the base and lid is made through earthing clip Lid BS 243098. 1 clip per mtr, placed in the middle of the section, is required. For short lengths 1 earthing clip is needed per piece (lid).
- e) The earthing clip for the lid is clipped diagonally onto the underside, of the front of the trunking. The lid is then installed over the clip.

SIGNO BA Base

- a) The SIGNO BA base is joined by an earthing base coupler BA 246567. A coupler is required at each joint.
- b) The base coupler slides into a rail in the base of the trunking, overlapping the coupler onto the next base, then securing it by 2 screws holding it in place.

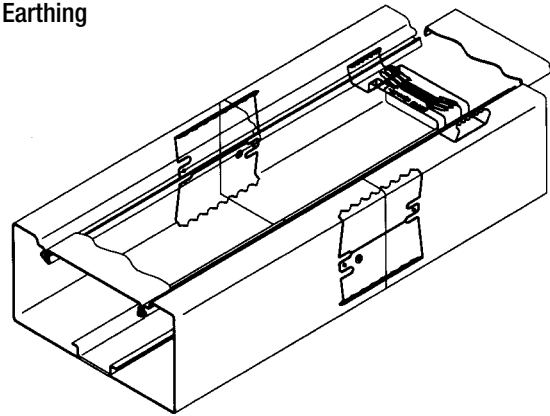
SIGNO BA Cover 80

- c) The connection of the base and lid is made through earthing clip Lid BA 242997. 1 clip per mtr, placed in the middle of the section, is required. For short lengths 1 earthing clip is needed per piece (lid).
- d) The earthing clip for the lid is clipped diagonally onto the underside of the front of the trunking. The lid is then installed over the clip.

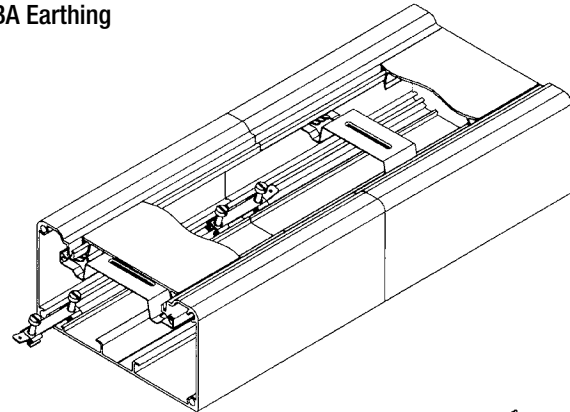
SIGNO Accessories – Steel Divider

- a) Joining of two steel dividers is made through the earthing clip for steel separator 726854. The earthing clip slides onto the edge of the divider, where the dividers will join up.
- b) If a socket box needs to be bridged it is necessary to use an earthing clip 725568 and an earthing lead 727471. The earthing clip is attached to each end of the separator, the gap is then bridged by the earthing lead, which is pushed onto the ends of each of the earthing clips.

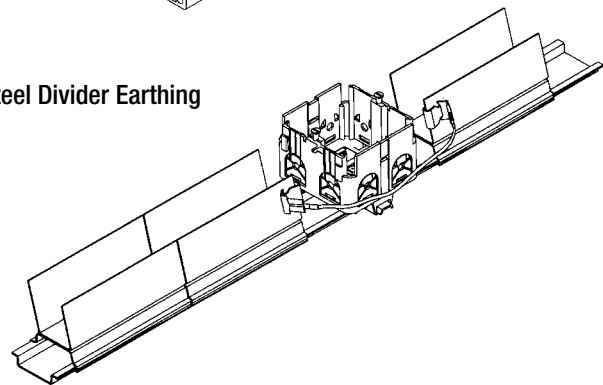
BS Earthing



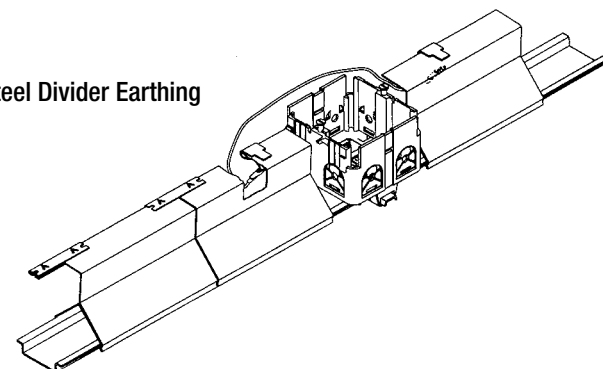
BA Earthing



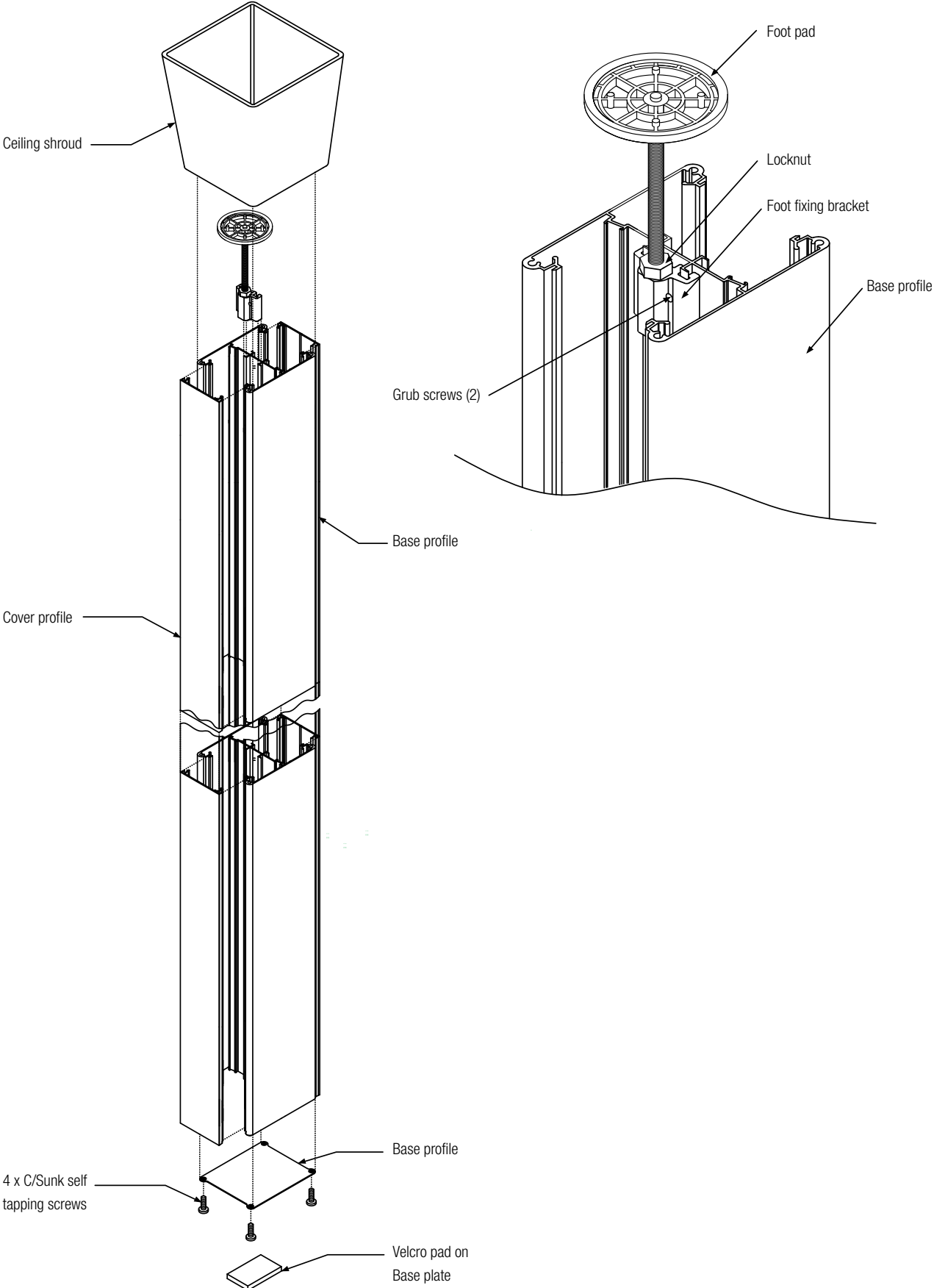
Steel Divider Earthing



Steel Divider Earthing



POWER POLE (3.6MTR) ASSEMBLY

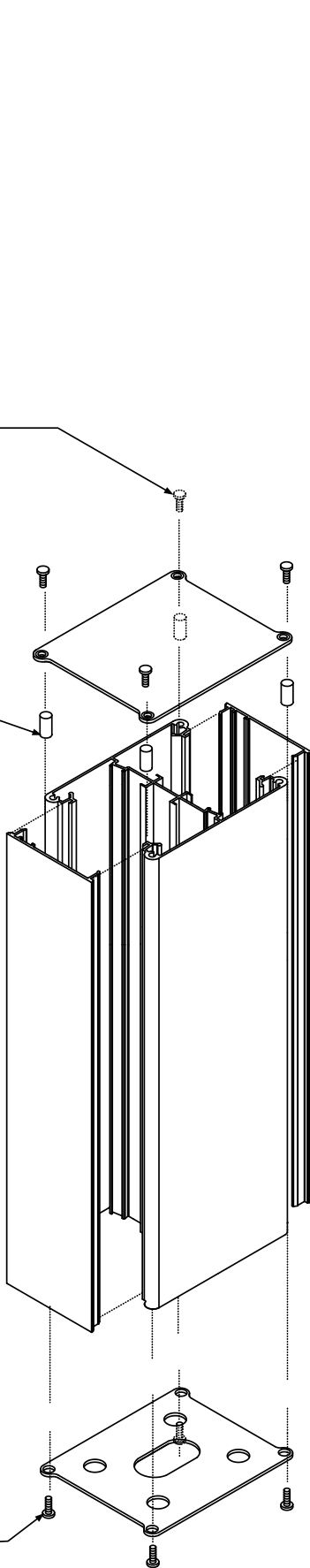


POWER POST (690MM) ASSEMBLY

4 x C/S Cross head screws M4

4 x Base inserts

4 x C/Sunk Self tapping screws

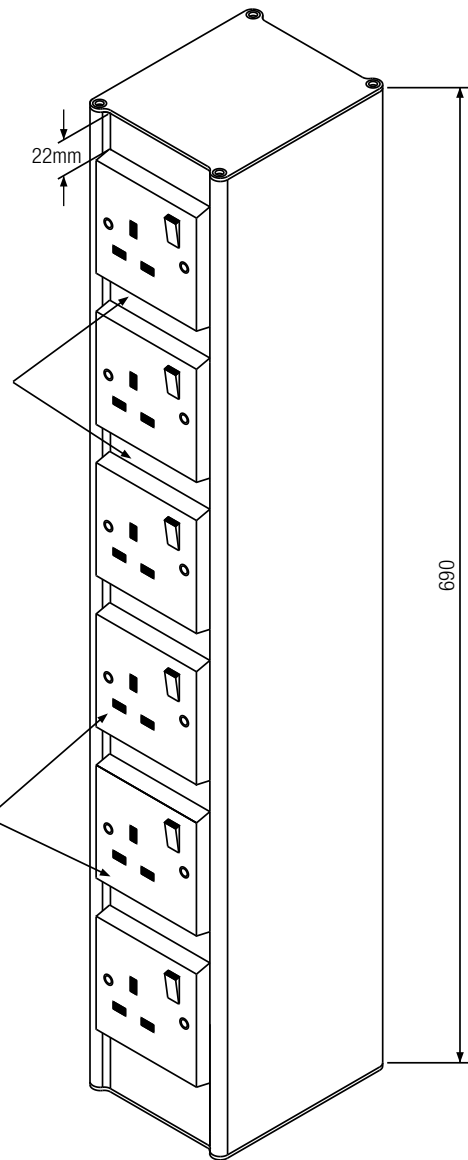


22mm

Cover spacers
22mm wide

Single sockets
Approx. 85mm square

690



SL SLIM LINE TRUNKING

SOCKET INSTALLATION INSTRUCTIONS

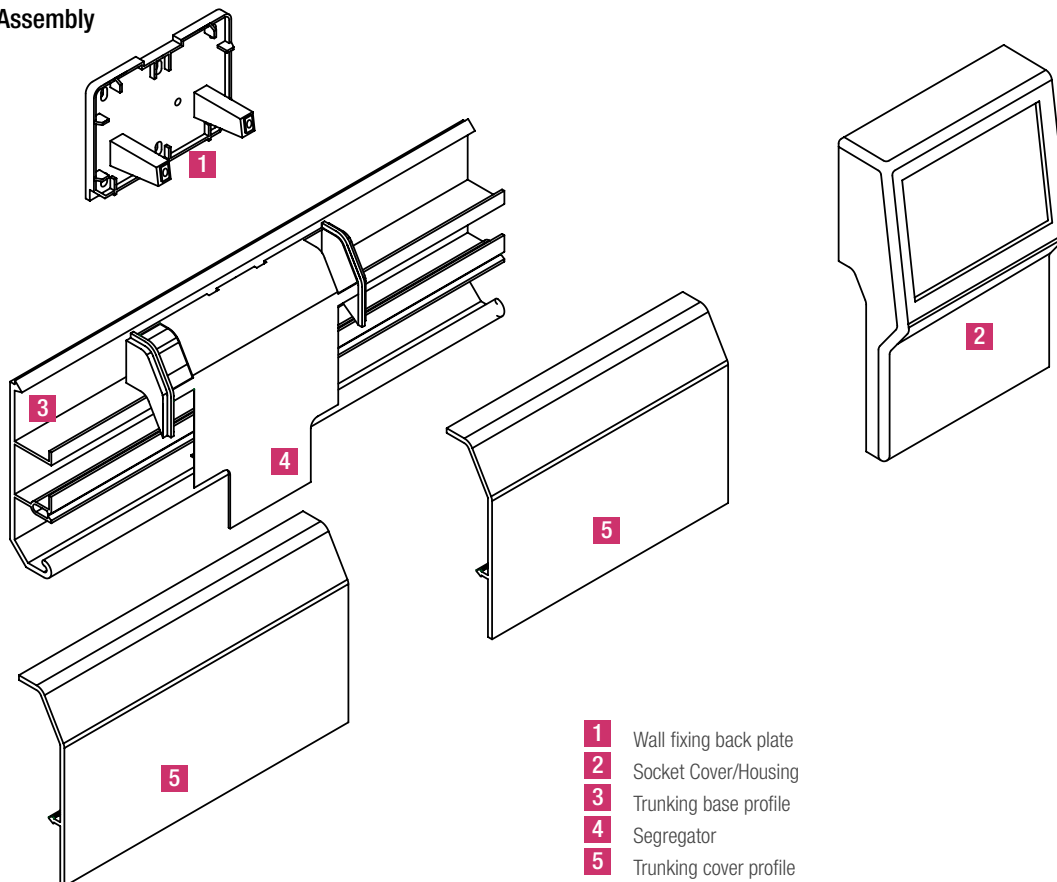
The following guidelines outline the procedure for installation of accessories as part of a SL Skirting trunking system.



To ensure a safe installation, this product must be installed and maintained by a competent person in accordance with requirements of the 16th Edition of the IEE Wiring Regulations (BS 7671). Before attempting any installation, it must be verified that all systems have been isolated.

- Determine the desired accessory location and clip the segregator onto the trunking base. (In the case of SL 70/20 the sides of the segregator must be snapped off prior to fitting). A minimum gap of 30mm should be left when installing accessories next to each other
- The wall fixing back plate can then be positioned by aligning the location pips with the holes in the top of the segregator. This allows marking of the wall fixing holes through the back plate
- Once marked the fixing holes may be drilled. Wall fixing using 6mm diameter rawlplugs and screws with a maximum diameter of 4.5mm is recommended
- Appropriate knockouts can then be removed to allow feeding of cables through the segregator. Ensure sufficient cable to allow proper termination of the accessory
- The socket housing may then be fitted. This clips to the trunking base and is retained by fixing the accessory faceplate
- Once accessory installation is complete the trunking covers may be fitted to complete the installation

SL Socket Assembly



- 1 Wall fixing back plate
- 2 Socket Cover/Housing
- 3 Trunking base profile
- 4 Segregator
- 5 Trunking cover profile

SOLELEC ELECTRIC UNDERFLOOR WARMING

SYSTEM REQUIREMENTS

SOLELEC is an Electric Underfloor Heating (EUFH) system used for effective regulation of room and floor temperature. It consists of mats and thermostats.

For the planning and installation of the SOLELEC system please observe the requirements established in the Building Regulations, particularly regarding thermal insulation requirements. To ensure a safe installation, this product must be installed by a competent qualified person in accordance with the requirements set out in the IEE Wiring Regulations (BS 7671).

System Requirements

The SOLELEC system is suitable for installation directly below the floor covering and on suspended floors.

SOLELEC is also compatible with most common floor finishes providing they have sufficiently low resistance to enable heat to be emitted into the room. Please refer to the resistance values table at the end of this manual.

For safety, all elements in direct contact with the heating elements must withstand a maximum temperature of 80°C.



Ensure that the insulation, screed, tile glue and any other materials used in installation are suitable for Electric Underfloor Heating.



For specific details regarding applications and installation of SOLELEC, please refer to the separate Technical Information brochure.

Components of System

MATS: TM-T 120W/m ² and 160W/m ²	
Power of heating cable	7.5 & 10 Watts / m
Power of heating mat	120 & 160 Watts / m ²
Voltage	~ 230V
Last layer	PVC
Thickness of cable	~ 3.5mm
Distance between heating cables	6.25cm
Width	0.3 & 0.5m
Type of cable	Twin core
Cold lead length	4m

4-event Clock Thermostat	
Programmable	Yes 4 events, 7 days
Supply voltage	230V +/- 15% 50-60 Hz
Output	16A 3600W
IP class	IP 21
Sensor	Ambient and floor (with temp limiter)
Optimum start	YES
Clock/Timer	Built in
Temperature range	+5 / 40°C
Limitation of range	+ 15°C / max 28°C
Dimensions (H/W/D)	80 x 80 x 48mm

For sizes and Article Number please refer to the SOLELEC Sales Brochure.

MATERIAL DATA

PVC-U

General Characteristics

The majority of REHAU Cable Management products are manufactured from RAU PVC 1309. This is a tough, rigid material with excellent resistance to chemicals and ageing. REHAU's PVC 1309 is lead and cadmium free and conforms to BS 476 and UL 94 V-0.

This material also conforms to the requirements of reaction to fire according to the trunking standard BS EN 50085-2-1

Density	1.48g/cm ³
Coefficient of linear expansion	80 x 10 ⁻⁶ /°C
Impact resistance (notched DIN 53453)	2-4kJ/m ²
Dielectrical strength	>20kV/mm
Tensile strength (DIN 53455)	>50 N/mm ²
Insulation resistance according to BS 4678	
Vicat softening point	83°C

Chemical Resistance

RAU-PVC 1309 is resistant to most diluted and concentrated acids and alkalis and also to aqueous salt-solutions. It is resistant to mineral oils, vegetable oils, paraffin oils, alcohols, benzene, aliphatic hydrocarbons, and higher fatty acids. Unplasticized polyvinyl chloride swells or becomes soluble in esters, ketones, chlorinated hydrocarbons, carbon disulphide and other solvents and is therefore not resistant. See Chemical Resistance table for further information.

Weathering and Ageing Resistance

Because of its chemical structure, RAU-PVC 1309 possesses an inherent excellent resistance to ageing. Colour stabilisers used in recipes for Cable Management Products have a Wool scale light fastness of 8. This is the highest result achievable and represents permanent colour fastness.

Combustibility

Being a hydrocarbon with high chlorine content, RAU-PVC 1309 is difficult to ignite; it is also self-extinguishing.

Thermal Properties

RAU-PVC 1309 is a thermoplastic. The physical values therefore vary with changes in temperature.

Bonding

RAU-PVC 1309 can be bonded to itself and other materials quite simply using normal commercial adhesives for rigid PVC; a very good bond is achieved. The adhesive manufacturer's instructions should be observed.

For REHAU LEH Cable Trunking

General Characteristics

REHAU LEH cable trunking is manufactured from RAU PCAB-648. This is a thermoplastic blend based on polycarbonate and ABS which combines the advantages of a polymer with a halogen free material and minimal release of toxic gases in the event of a fire.

Density	1.18g/cm ³
Coefficient of linear expansion	8x10 ⁻⁶ /°C
IZOD Impact strength	2600mpa
Dielectric strength	35kV/mm
Vicat softening point	108°C
Halogen free according to VDE 0472 parts 813 & 815	

Combustibility

RAU-PCAB 648 is self extinguishing according to UL-94 VO at 1.5mm and 5VB at 2.5mm minimal release of toxic gases in the event of a fire.

VDE 0472 parts 813 & 815 Testing of Cable, Wires & Flexible cords
- Corrosivity of combustion gases and non halogen verification

Thermal Properties

RAU-PCAB is suitable for application range 30°C to +90°C.

Moulded Components

The materials used for moulded accessories are selected so their properties compliment those of the PVC trunking itself.

These material are as follows:-

RAU-PS - Polystyrene

RAU-ABS - Acrylonitrile-butadiene-styrene

RAU-SB - High impact polystyrene

RAU-POM - Polyacetal

Other Materials:-

Aluminium Products (SIGNO POL and Post)

Aluminium A1 Mg Si 0.5 according to BS 6063.

MATERIAL DATA

TABLE OF CHEMICAL RESISTANCE RAU PVC 1309

	Concentration %	Temperature	Result
Acetaldehyde, conc.	100	20	Nr
Acetaldehyde, aqueous	40	40	Pr
Acetaldehyde + acetic acid	90/10	20	Pr
Acetic acid, aqueous	Up to 25	40	R
	Up to 25	60	Pr
	25-60	60	R
	80	40	Pr
Acetic acid, crude	95	40	Pr
Acetic anhydride	100	20	Nr
	100	40	Nr
	100	60	Nr
Acetic ester	100	20	Nr
Acetone	100	20	Nr
	100	60	Nr
Acetone, aqueous	Traces	20	Nr
Acronal dispersions	Commerc.	20	R
Acronal solutions	Commerc.	20	Nr
Acrylic acid ethyl ester	100	20	Nr
Adipic acid, aqueous	Saturated	20	R
	Saturated	60	Pr
Aktivin, aqueous	1	20	R
Allyl alcohol	96	20	Pr
	96	60	Nr
Aluminium chloride, aqueous	Diluted	40	R
	Diluted	60	Pr
	Saturated	60	R
Alum, aqueous	Diluted	40	R
	Diluted	60	Pr
	Saturated	60	R
Ammonia, liquid	100	20	Pr
Ammonia, gaseous	100	60	R
Ammonia, water	Warm sat.	40	R
	Warm sat.	60	Pr
Ammonium chloride, aqueous	Diluted	40	R
	Diluted	60	Pr
	Saturated	60	R
Ammonium fluoride, aqueous	Up to 20	20	R
	Up to 20	60	Pr
Ammonium nitrate, aqueous	Diluted	40	R
	Diluted	60	Pr
	Saturated	60	R
Ammonium sulphate aqueous,	Diluted	40	Pr
	Diluted	60	Pr
	Saturated	60	R
Ammonium sulphide, aqu.	Diluted	40	R
	Diluted	60	Pr
	Saturated	60	R
Aniline, pure	100	20	Nr
Aniline, pure	100	60	Nr
Aniline, aqueous	Saturated	20	Nr
	Saturated	60	Nr
Aniline chlorine hydrate, aqu.	Saturated	20	Pr
	Saturated	60	Nr
	100	20	Nr

	Concentration %	Temperature	Result
Anthraquinone sulphonic acid, aqueous	susp.	30	R
Antimony pentachloride, aqu.	90	20	R
Arsenic acid, aqueous	Diluted	40	R
	Diluted	60	Pr
	80	40	R
	80	60	Pr
Asfluid 1, liquid	-	20	Nr
Asfluid 1, dry (film)	-	20	Pr
Beef suet emulsion, sulphonated	Commerc.	20	R
Beer	Commerc.	20	R
Benzaldehyde, aqueous	0.1	60	Nr
Benzene	100	20	Nr
Benzine	100	60	R
Benzine-benzene mixture	80/20	20	Nr
Benzoic acid, aqueous	Any	20	R
	Any	40	R
	Any	60	Pr
Benzoic acid, aqueous	Up to 10	40	R
	Up to 10	60	Pr
	36	60	Pr
Bisulphite lye, containing SO ₂	Warm sat.	50	R
Bleaching lye, 12.5% active Chlorine	Usual	40	R
Borax, aqueous	Usual	60	Pr
	Diluted	40	R
Boric acid, aqueous	Diluted	60	Pr
	Saturated	60	Pr
	Diluted	40	R
	Diluted	60	Pr
	Saturated	60	Pr
Bromine, liquid	100	20	Nr
Bromine, vapours	Low	20	Pr
Butadiene	100	60	R
Butandiol	Up to 100	20	Pr
Butandiol, aqueous	Up to 10	20	R
	Up to 10	40	Pr
	Up to 10	60	Nr
Butane, gaseous	50	20	R
Butanol	Up to 100	20	R
	Up to 100	40	R
Butanol	Up to 100	60	Pr
Butindiol	Up to 100	40	Pr
Butyl acetate	100	20	Nr
Butylene, liquid	100	20	R
	100	20	Pr
Butyric acid, aqueous	20	20	R
	conc.	20	Nr
Calcium chloride, aqueous	Diluted	40	R
	Diluted	60	Pr
	Saturated	60	R
Calcium nitrate, aqueous	50	40	R
Carbolineum for fruit trees, aqueous	Usual	20	R
Carbon disulphide	100	20	Pr

Key: R = Resistant Pr = Partial resistant Nr = Not resistant

	Concentration %	Temperature	Result
Carbonic acid, dry	100	60	R
Carbonic acid, moist	Any	40	R
	Any	60	Pr
Carbonic acid, aqueous below 8 atm.	Saturated	20	R
Carbon tetrachloride, techn.	100	20	Pr
Caustic potash lye, Aqueous	Up to 40	40	R
	Up to 40	60	Pr
	50/60	60	R
Chloramine, aqueous	Diluted	20	R
Chloric acid, aqueous	1	40	R
	1	60	Pr
	10	40	R
	10	60	Pr
	20	40	R
	20	60	Pr
Chlorine, gaseous, dry	100	20	Pr
Chlorine, gaseous, moist	0.5	20	R
	1	20	Pr
	5	20	Pr
Chlorine water	Saturated	20	Pr
Chloroacetic acid (mono-)	100	40	R
	100	60	Pr
Chloroacetic acid (mono-), aqueous	85	20	R
Chloromethyl	100	20	Nr
Chlorsulphonic acid	100	20	Pr
Chromic acid, aqueous	Up to 50	40	R
	Up to 50	60	Pr
Chromic acid/sulphuric acid/water	50/15/35	40	R
	50/15/35	60	Pr
Chromium potassium Sulphate, aqueous	Diluted	40	R
	Diluted	60	Pr
	Saturated	60	R
Cider	Commerc.	20	R
Citric acid, aqueous	Up to 10	40	R
	Up to 10	60	Pr
	Saturated	60	R
Clophene	Commerc.	20	Pr
	Commerc.	60	Nr
Copper fluoride, aqueous	2	50	R
Coppersulphate, aqueous	Diluted	40	R
	Diluted	60	Pr
	Saturated	60	R
Cresol, aqueous	Up to 90	45	Pr
Crotonic aldehyde	100	20	Nr
Cuprous chloride, aqueous	Saturated	20	R
Cyclanone	Commerc.	20	R
	Commerc.	60	R
Cyclohexanol	100	20	Nr
Cyclohexanone	100	20	Nr
Densodrin W	Commerc.	60	R
Dextrine, aqueous	Saturated	20	R
	18	60	Pr
Diglycolic acid, aqueous	30	60	Pr

	Concentration %	Temperature	Result
	Saturated	20	R
Dimethylamine, liquid	100	30	Pr
Ethyl acetate	100	20	Nr
	100	60	Nr
Ethyl alcohol, aqueous	Any	20	R
	96	60	Pr
Ethyl acetate, denatured (with 2% toluene)	96	20	R
Ethyl alcohol (fermentation mash)	Ind. stand.	40	R
	Ind. stand.	60	Pr
Ethyl alcohol + acetic Acid (fermentation mash)	Ind. stand.	20	R
Ethyl ether	100	20	R
Ethylene chloride	100	20	Nr
Ethylene oxide, liquid	100	20	Nr
Fatty acids	100	60	R
Filter alum, aqueous	Diluted	40	R
	Diluted	60	Pr
	Saturated	60	R
Formaldehyde, aqueous	Diluted	40	R
	Diluted	60	Pr
	40	30	R
Formic acid	100	20	Pr
Formic acid	100	60	Nr
Formic acid, aqueous	Up to 50	40	R
	50	60	Pr
Freon	100	20	R
Fruit pulp	Ind. conc.	20	R
Gas liquor	Usual	40	Pr
Glacial acetic acid	100	20	Pr
	100	40	Nr
Glucose, aqueous	Saturated	20	R
	Saturated	60	Pr
Glycerine, aqueous	Any	60	R
Glycocol, aqueous	10	40	R
Glycol, aqueous	Commerc.	60	R
Glycolic acid, aqueous	37	20	R
Hexanetriol	Commerc.	60	R
Hydrobromic acid, aqueous	Up to 10	40	R
	Up to 10	60	Pr
	48	60	R
Hydrochloric acid, aqueous	Up to 30	40	R
	Up to 30	60	Pr
	over 30	20	R
Hydrofluoric acid, aqueous	over 30	60	R
	Up to 40	20	R
	40	60	Pr
	60	20	Pr
	70	20	Pr
Hydrofluosilic acid, aqueous	Up to 32	60	R
Hydrogen	100	60	R
Hydrogen peroxide, aqueous	Up to 30	20	R
	Up to 20	50	R
Hydrogen phosphide	100	20	R

Key: R = Resistant Pr = Partial resistant Nr = Not resistant

	Concentration %	Temperature	Result
Hydrogen sulphide, dry	100	60	R
Hydrogen sulphide, aqueous	Warm sat.	40	R
	Warm sat.	60	Pr
Hydrosulfite, aqueous	Up to 10	40	R
	Up to 10	60	Pr
Hydroxylamine sulphate, aqueous	Up to 12	35	R
Iron chloride (ferri), aqu.	Up to 10	40	R
	Up to 10	60	Pr
	Saturated	60	R
Lactic acid, aqueous	Up to 10	40	R
	Up to 10	60	Pr
	90	60	Nr
Lead acetate, aqueous	Warm sat.	50	R
	Diluted	40	R
	Diluted	60	Pr
	Saturated	60	R
Liquers	Commerc.	20	R
Magnesium chloride, aqu.	Diluted	40	R
	Diluted	60	Pr
	Saturated	60	R
Magnesium sulphate, aqu.	Diluted	40	R
	Diluted	60	Pr
	Saturated	60	R
Maleic acid, aqueous	Saturated	40	R
	Saturated	60	Pr
	35	40	R
Malic acid, aqueous	1	20	R
Manure salts, aqueous	Up to 10	40	R
	Up to 10	60	P
	Saturated	60	R
Mersol D	Ind. Conc.	40	R
Methyl alcohol	100	40	R
	100	60	Pr
Methylamine, aqueous	32	20	Pr
Methylene chloride	100	20	Nr
Methyl sulphuric acid, aqueous	Up to 50	20	R
	Up to 50	40	Pr
	100	40	R
	100	60	Pr
Milk	Commerc.	20	R
Mixed acid 1 (sulph.acid/ nitric acid/water)	48/49/3	20	R
	48/49/3	40	Pr
	50/50/0	20	Pr
	50/50/0	40	Nr
	10/20/70	50	R
	10/87/3	20	Pr
	50/31/19	30	R
	Ind. Conc.	60	Pr
Molasses	Ind. Conc.	20	R
	Ind. Conc.	60	Pr
Molasses, aromatics for	Ind. Conc.	60	R
Mowilith D	Commerc.	20	R
Nekal, BX, aqueous	Diluted	40	R
Nekal, BX, aqueous	Diluted	60	Pr

	Concentration %	Temperature	Result
Nickel sulphate, aqueous	Diluted	40	R
	Diluted	60	Pr
	Saturated	60	R
Nicotine, aqueous	Usual	20	R
Nictone preparations, aqu.	Usual	20	R
Nitrate of silver, aqueous	Up to 8	40	R
	Up to 8	60	Pr
Nitric acid, aqueous	Up to 30	50	R
	30/50	50	R
	98	20	Nr
	98	60	Nr
Nitrous fumes	conc.	20	Pr
	conc.	60	Nr
Oils, fats and greases	Commerc.	60	R
Oleic acid	Commerc.	60	R
Oleum	10	20	Nr
Oleum fumes	Lower	20	R
	Higher	20	Pr
Oxalic acid, aqueous	Diluted	40	R
	Diluted	60	Pr
	Saturated	60	R
Oxygen	Any	60	R
Ozone	100	20	R
	10	30	R
Palm nut fatty acids	100	60	R
Paraffin emulsions	Commerc.	20	R
	Commerc.	40	R
Perchloric acid, aqueous	Up to 10	40	R
	Up to 10	60	Pr
	Saturated	60	R
Phenol, aqueous	Up to 90	45	Pr
	1	20	R
Phenylhydrazine	100	20	Nr
	100	60	Nr
Phenylhydrazine- hydrochloride, aqueous	Saturated	20	Pr
	Saturated	60	Nr
Phosgene, gaseous	100	20	R
	100	60	Pr
Phosgene, liquid	100	20	Nr
Phosphoric acid, aqueous	Up to 30	40	R
	Up to 30	60	Pr
	40	60	R
	80	20	R
	80	60	R
Phosphorous pentoxide	100	20	R
Phosphorous trichloride	100	20	Nr
Photo developer	Commerc.	40	R
Photo emulsions	Any	40	R
Photo fixing baths	Commerc.	40	R
Picric acid, aqueous	1	20	R
Potassium bichromate, aqueous	40	20	R
Potassium borate, aqueous	1	40	R
	1	60	Pr

Key: R = Resistant Pr = Partial resistant Nr = Not resistant

	Concentration %	Temperature	Result
Potassium bromate, aqu.	Up to 10	40	R
	Up to 10	60	Pr
Potassium bromide, aqu	Diluted	40	R
	Diluted	60	Pr
Potassium bromide, aqu	Saturated	60	R
Potassium carbonate, aqu.	Saturated	40	R
Potassium chloride, aqu.	Diluted	40	R
	Diluted	60	Pr
	Saturated	60	R
Potassium chromate, aqu.	40	20	R
Potassium cyanide, aqu.	Up to 10	40	R
	Up to 10	60	Pr
	Saturated	60	R
Potassium ferricyanide and potassium ferrocyan., aqu.	Diluted	40	R
	Diluted	60	Pr
	Saturated	60	R
Potassium nitrate, aqu.	Diluted	40	R
	Diluted	60	Pr
	Saturated	60	R
Potassium perchlorate, aqu.	1	40	R
	1	60	Pr
Potassium permanganate, aqu	Up to 6	20	R
	Up to 6	40	R
	Up to 6	60	R
	Up to 18	40	R
Potassium persulphate, aqu.	Diluted	40	R
	Diluted	60	Pr
	Saturated	40	R
	Saturated	60	Pr
Propane, gaseous	100	20	R
Propane, liquid	100	20	R
Propargyl alcohol, aqu.	7	60	R
Ramasite	Commerc.	20	R
	Commerc.	40	R
Roasting gases, dry	Any	60	R
Sea water	-	40	R
	-	60	Pr
Silicic acid, aqueous	Any	60	R
Soap solution, aqueous	conc.	20	R
	conc.	60	Pr
Soda, aqueous	Diluted	40	R
	Diluted	60	Pr
	Saturated	60	R
Soda lye, aqueous	Up to 40	40	R
	Up to 40	60	Pr
	50/60	60	R
Sodium bisulphite, aqueous	Diluted	40	R
	Diluted	60	Pr
	Saturated	60	R
Sodium chlorate, aqueous	Up to 10	40	R
	Up to 10	60	Pr
	Saturated	60	R

	Concentration %	Temperature	Result
Sodium chloride, aqueous	Diluted	40	R
	Diluted	60	Pr
	Saturated	60	R
Sodium chlorite, aqueous	Diluted	20	Pr
	Diluted	60	Nr
Sodium hypochlorite, aqu.	Diluted	20	R
Sperm oil alcohol	Commerc.	20	R
Spinning bath acids, containing CS ₂	0.01	52	R
	0.02	52	Pr
	0.07	52	Nr
Spirits (brandy, whisky etc.)	Commerc.	20	R
Stannous chloride, aqueous	Diluted	60	Pr
Starch, aqueous	Any	40	R
	Any	60	Pr
Starch sirup	Ind. Conc.	60	R
Stearic acid	100	60	R
Sulphur dioxide, aqueous below 8 atm.	Saturated	20	R
Sulphur dioxide, dry	Any	60	R
Sulphur dioxide, liquid	100	-10	Pr
	100	20	Pr
	100	60	Nr
Sulphurb dioxide, moist and aqueous	Any	40	R
	50	50	R
	Any	60	Pr
Sulphuric acid, aqueous	Up to 40	40	R
	Up to 40	60	Pr
	70	20	R
	70	60	R
	80-90	40	R
	96	20	R
Sulphuric sodium, aqueous	96	60	Pr
	Diluted	40	R
	Diluted	60	Pr
Tallow	Saturated	60	R
	100	20	R
Tanigan special A, aqu.	100	60	R
	Any	20	R
Tanigan special B, aqu.	Any	20	R
Tanigan special D, aqu.	Saturated	40	Pr
	Saturated	60	Nr
Tanigan F, aqueous	Saturated	60	R
Tanigan U, aqueous	Saturated	40	R
	Saturated	60	Pr
Tanning extracts, of cellulose	Usual	20	R
Tanning extracts, Vegetable	Usual	20	R
Tartaric acid	Up to 10	40	R
	Up to 10	60	Pr
	Saturated	60	R
Tetraethyl lead	100	20	R
Thionyl chloride	100	20	Nr
Toluene	100	20	Nr

Key: R = Resistant Pr = Partial resistant Nr = Not resistant

	Concentration %	Temperature	Result
Trichloroethylene	100	20	Nr
Triethanolamine	100	20	Pr
Trilone	Commerc.	60	R
Trimethylol propane, aqu.	Up to 10	40	R
	Up to 10	60	Pr
	Commerc.	40	Pr
	Commerc.	60	Pr
Urea, aqueous	Up to 10	40	R
	Up to 10	60	Pr
	33	60	R
Urine	Normal	40	R
	Normal	60	Pr
Vinegar (wine vinegar)	Commerc.	40	R
	Commerc.	50	R
	Commerc.	60	Pr
Vinyl acetate	100	20	Nr
Waste gases, containing carbonic acid	Any	60	R
Waste gases, containing fluorine-hydrogen	Traces	60	R
Waste gases, containing hydrochloric acid	Any	60	R
Waste gases, containing nitrous vitriol	Traces	60	R
	Higher	60	Nr
Waste gases, containing oleum	Lower	20	R
	Higher	20	Nr
Waste gases, containing sulphuric acid, moist	Any	60	R
Waste gases, contain. SO2	Lower	60	R
	50	50	R
Water	100	40	R
	100	60	Pr
Wax alcohol	100	60	R
Wine, red and white	Commerc.	20	R
Xylene	100	20	Nr
Zinc chloride, aqueous	Diluted	40	R
	Diluted	60	Pr
	Saturated	60	R
Zinc sulphate, aqueous	Diluted	40	R
	Diluted	60	Pr
	Saturated	60	R

Key: R = Resistant Pr = Partial resistant Nr = Not resistant

